

**ASSEMBLY INSTRUCTIONS  
MODEL NUMBER W26149-1**

**THANK YOU FOR PURCHASING THIS TABLE LAMP.  
PLEASE FOLLOW THE INSTRUCTIONS LISTED BELOW:**

**CAUTION: DO NOT PLUG INTO WALL OUTLET BEFORE ASSEMBLY.  
UNPLUG WHEN REPLACING THE LAMP BULB.**

1. Carefully unpack carton and place all parts on a soft, smooth surface. Inventory all parts.
2. Thread the socket (B) clockwise to body (A).
3. Attach harp (D) into the saddle of socket (C).
4. Place the shade (E) onto top of harp (D).
5. Screw and tighten finial (F), clockwise onto harp (D).

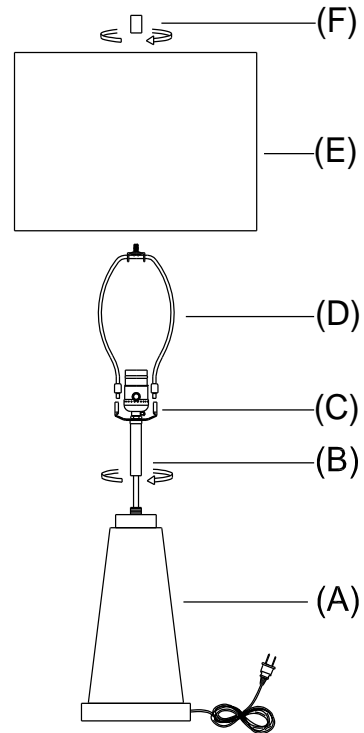
Recommended use of one 3-Way 150-watt max medium base (E-26) light bulb, or equivalent (not included).

**IMPORTANT SAFETY INSTRUCTIONS:**

This portable lamp has a polarized plug (one blade is wider than the other), as a safety feature to reduce the risk of electric shock. This plug will fit in a polarized outlet only one way. If it does not fit fully in the outlet, reverse the plug. If it still does not fit, contact a qualified electrician. Never use with an extension cord unless plug can be fully inserted. Do not alter this plug.

**Care and Maintenance**

To clean, wipe with a soft dry cloth.



**ASSEMBLY INSTRUCTIONS  
MODEL NUMBER W26149-1**

**THANK YOU FOR PURCHASING THIS TABLE LAMP.  
PLEASE FOLLOW THE INSTRUCTIONS LISTED BELOW:**

**CAUTION: DO NOT PLUG INTO WALL OUTLET BEFORE ASSEMBLY.  
UNPLUG WHEN REPLACING THE LAMP BULB.**

1. Carefully unpack carton and place all parts on a soft, smooth surface. Inventory all parts.
2. Thread the socket (B) clockwise to body (A).
3. Attach harp (D) into the saddle of socket (C).
4. Place the shade (E) onto top of harp (D).
5. Screw and tighten finial (F), clockwise onto harp (D).

Recommended use of one 3-Way 150-watt max medium base (E-26) light bulb, or equivalent (not included).

**IMPORTANT SAFETY INSTRUCTIONS:**

This portable lamp has a polarized plug (one blade is wider than the other), as a safety feature to reduce the risk of electric shock. This plug will fit in a polarized outlet only one way. If it does not fit fully in the outlet, reverse the plug. If it still does not fit, contact a qualified electrician. Never use with an extension cord unless plug can be fully inserted. Do not alter this plug.

**Care and Maintenance**

To clean, wipe with a soft dry cloth.

